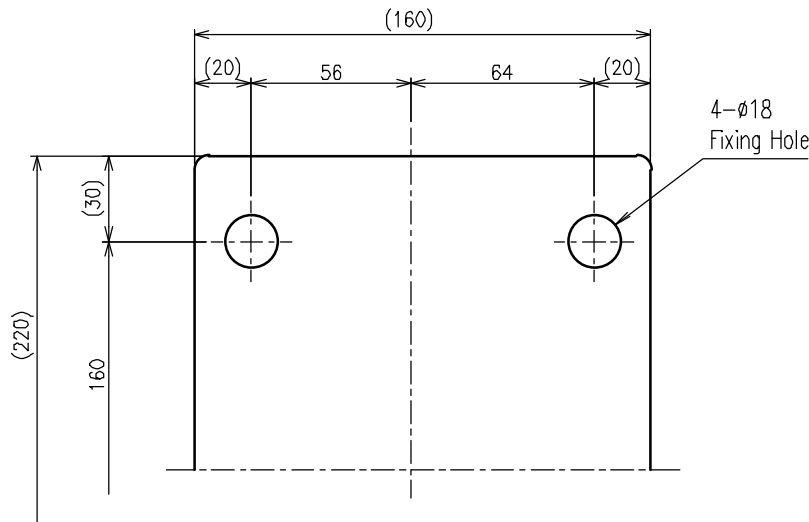


>Description
 SW Special Wheel
 SW-130-I Type
 Unit = mm



>Specification
 Product Weight = 14kg
 Load Capacity = 1200kgf

Head = S45C
 Body = FC250